

Appendix A - Description and Detail Drawings of Downtown Decorative Concrete (RPD036)

The decorative sidewalks will be standard concrete grey with no added colour. The textured concrete sections will provide the contrast between and frame the back of the geometric design panels. The curb and gutter and pedestrian ramps will be to the City standards, only the sidewalk panels will have the decorative design work.

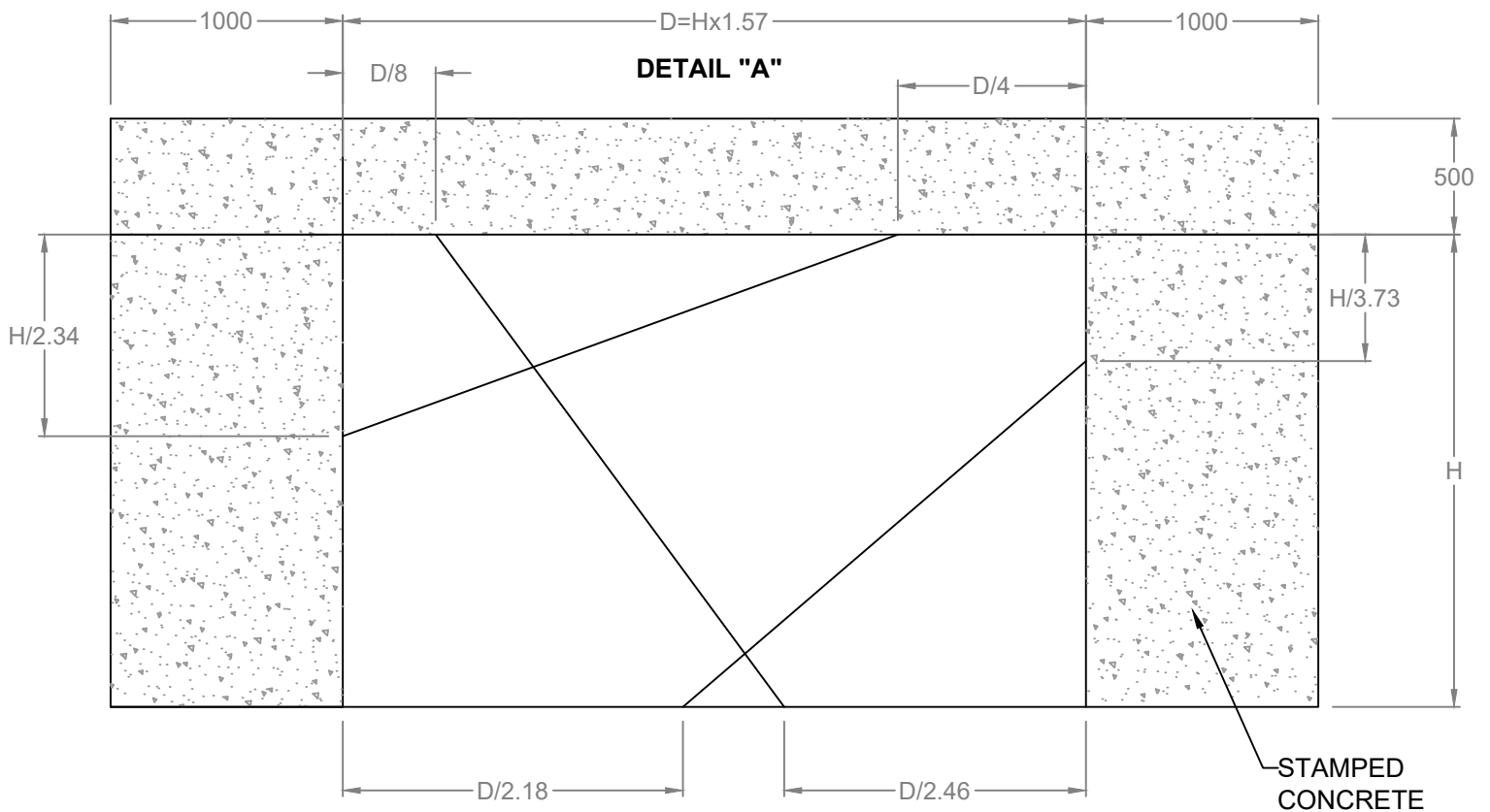
The textured panels will be 100 cm wide and be placed between the geometric panels. There will also be a strip of textured concrete 500 mm wide along the back of the sidewalk to 'frame' the geometric panels. The texture pattern chosen has subtle undulations and a roughed surface with peaks and valleys not exceeding 6.3 mm. The pattern looks like a large flat rock with slight random changes to the surface to create the 'rock' look.

The texture is achieved by using a special rubber stamp that is pressed into the wet concrete. This will ensure a consistent 'pattern' and undulation from panel to panel.

The geometric panels placed inside the textured areas are finished with the City standard brushed finish that leaves a level and slightly rough surface for traction. The geometric design is achieved by cutting 4 lines through the panel at various angles, similar to a simple 'spider web'. The lines are cut while the concrete is still wet and to a depth of about 15 mm and 5 mm wide, which is the same as the City standard for contraction/expansion joints in sidewalks.

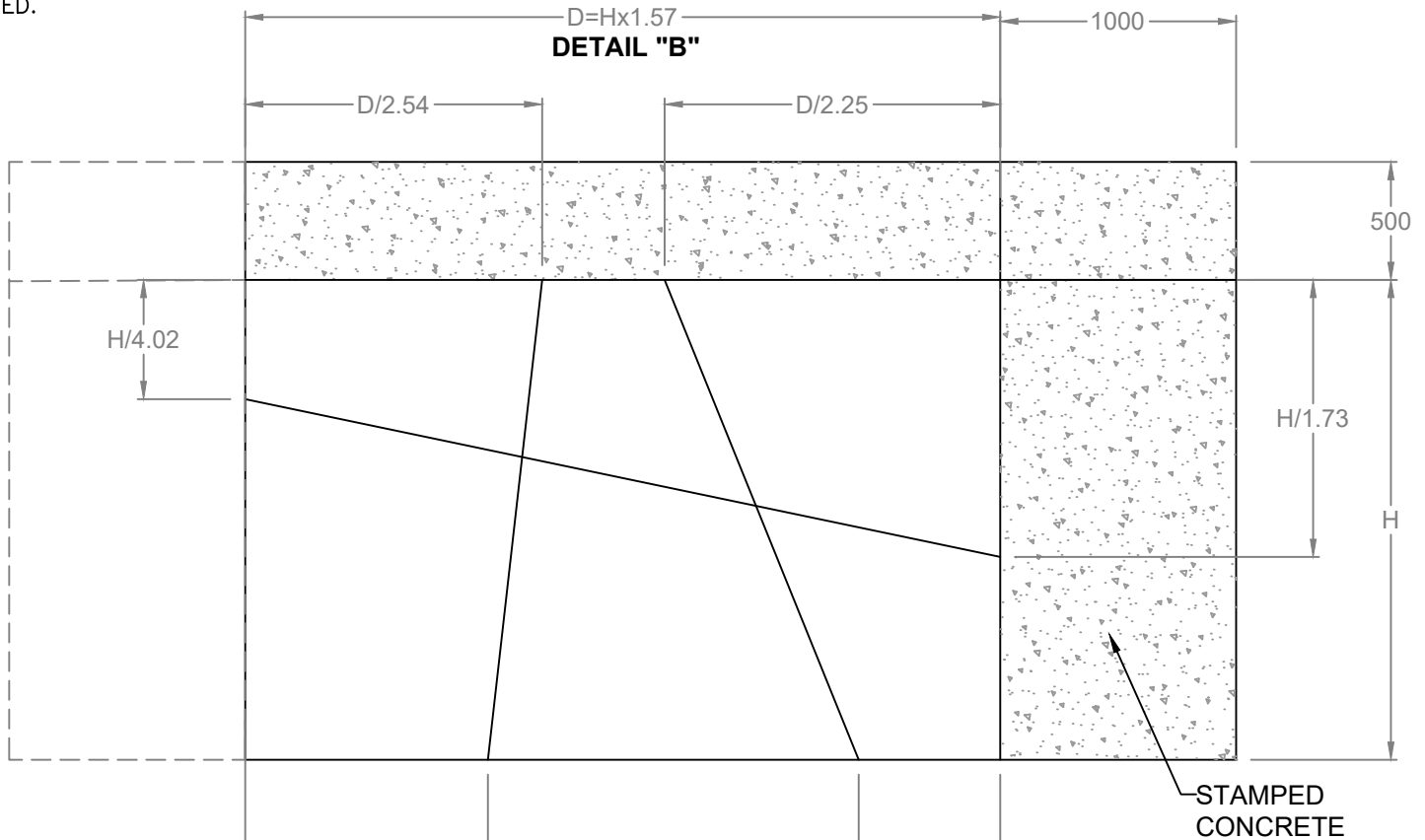
The following picture shows the stamp pattern and detail of the decorative concrete design.





NOTES:

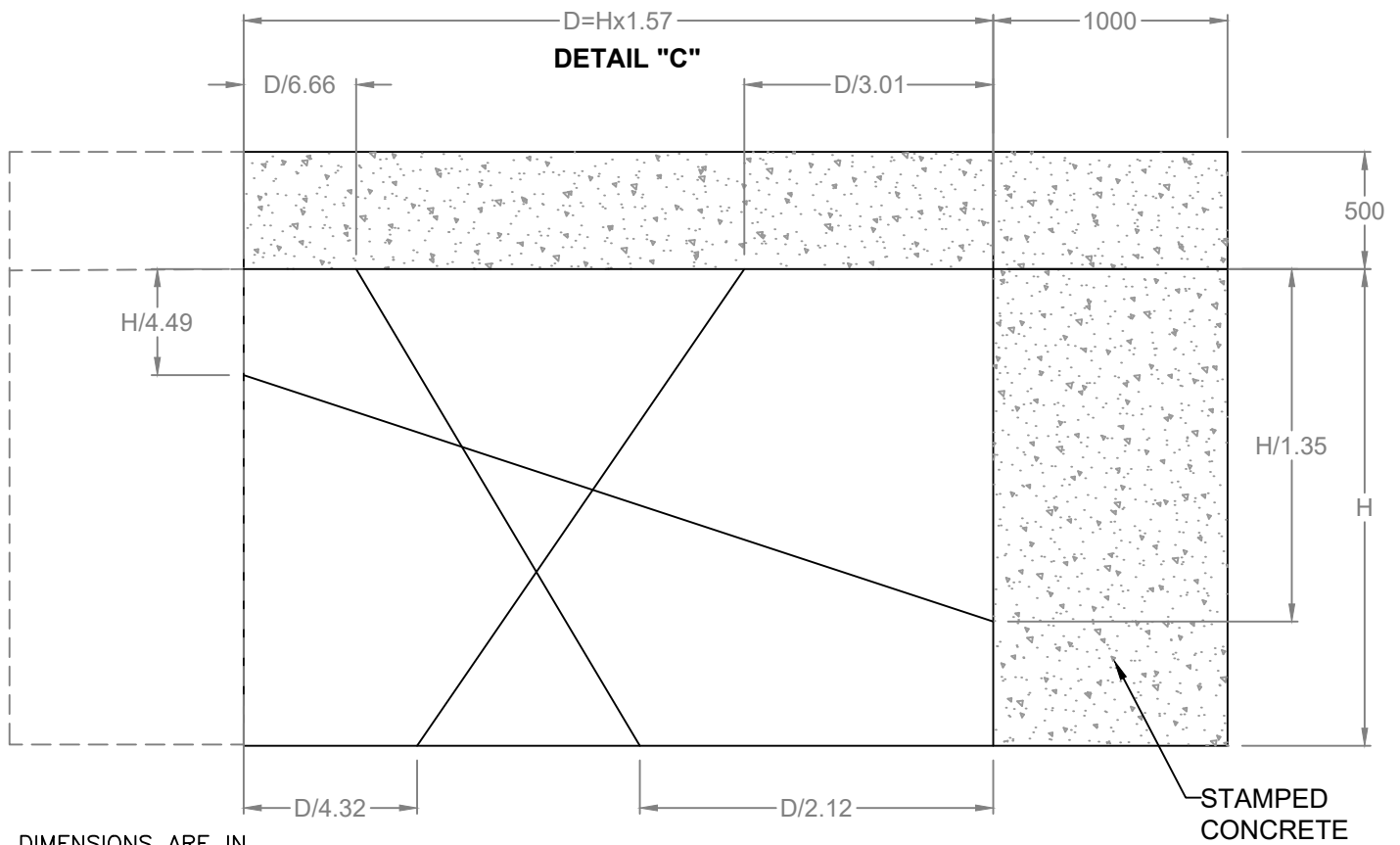
1. ALL DIMENSIONS ARE IN MILLIMETERS UNLESS OTHERWISE NOTED.



Date	Revisions	By
MAR-2021	REV-1	FP

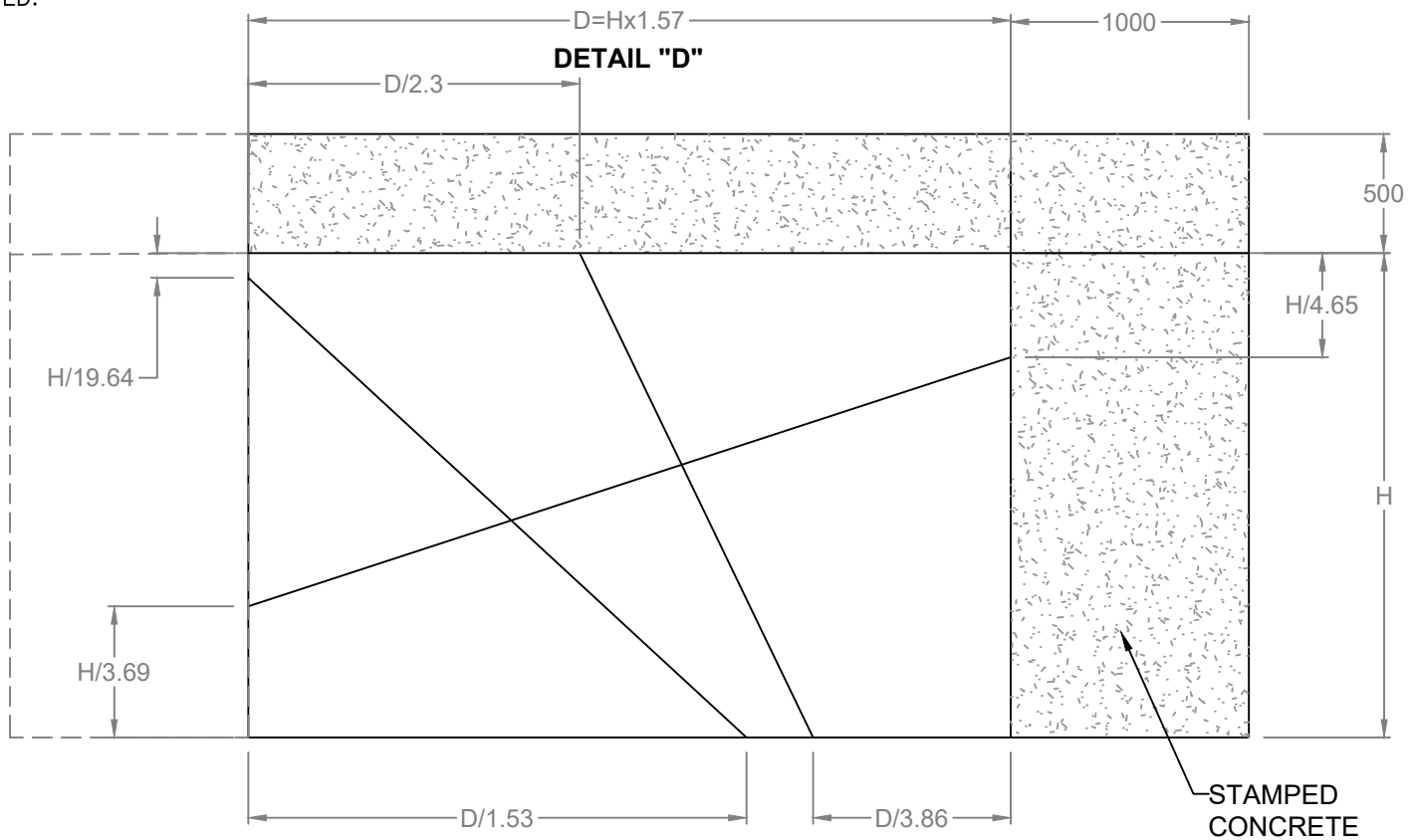
City of Regina | **REGINA**
Infinite Horizons

DETAIL		
Downtown Decorative Concrete RPD036 - Detail A-B		
Approval / Stamping: RC	File Information: RP DRAWING SPECS SIRP.DWG	
Date: March 30, 2021	Scale: NTS	Category: -
Sheet Number: 1 of 3		



NOTES:

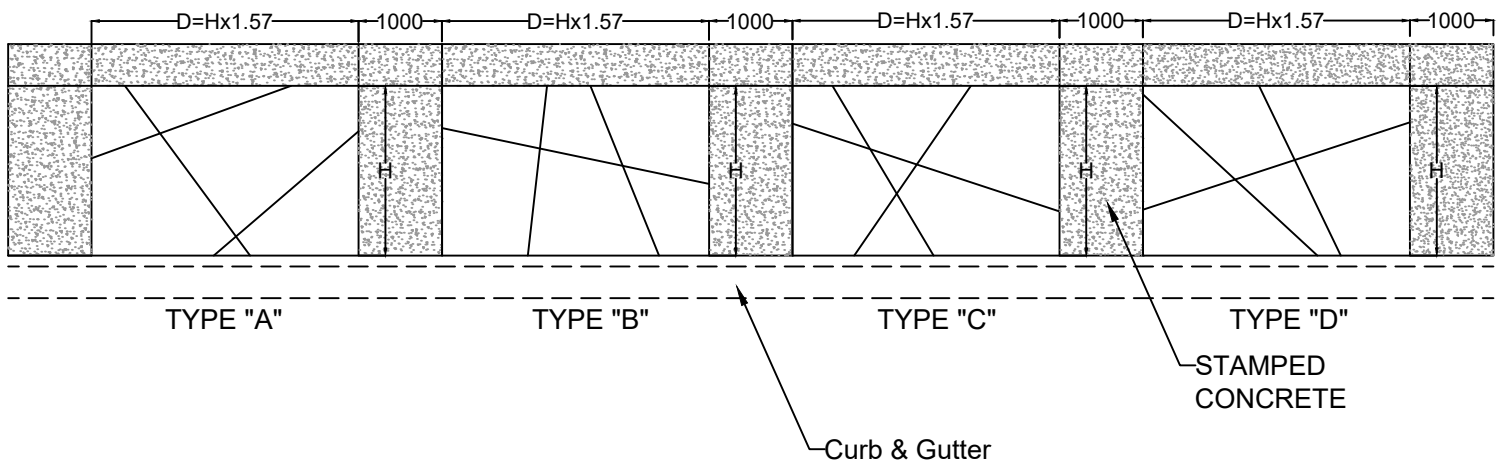
1. ALL DIMENSIONS ARE IN MILLIMETERS UNLESS OTHERWISE NOTED.



Date	Revisions	By
MAR-2021	REV-1	FP

City of Regina | **REGINA**
Infinite Horizons

DETAIL		
Downtown Decorative Concrete RPD036 - Detail C-D		
Approval / Stamping: RC	File Information: RP DRAWING SPECS SIRP.DWG	
Date: March 30, 2021	Scale: NTS	Category: -
Sheet Number: 2 of 3		



NOTES:

1. ALL DIMENSIONS ARE IN MILLIMETERS UNLESS OTHERWISE NOTED.
2. PATTERN TO RE-START AFTER TYPE "D"

Date	Revisions	By
MAR-2021	REV-1	FP




DETAIL		
Downtown Decorative Concrete RPD036 - Detail A-D		
Approval / Stamping: RC	File Information: RP DRAWING SPECS SIRP.DWG	
Date: March 30, 2021	Scale: NTS	Category: -
Sheet Number: 3 of 3		